

IM Series

2-port Gigabit Ethernet and 4-port fast Ethernet interface modules for EDS-728/828 series Ethernet switches

Specifications

Gigabit Ethernet Interface Modules, IM-2G Series



IM-2GTX

IM-2GSFP

Interface

Fiber Ports: 1000BaseSFP slot
RJ45 Ports: 10/100/1000BaseT(X) auto negotiation speed and auto MDI/MDI-X connection
LED Indicators: Port status

Note: Please see page 1-87 for product information related to the SFP-1G series of Gigabit Ethernet SFP modules.

Power Requirements

Power Consumption (@ 24 V):

IM-2GTX: 2.96 W
 IM-2GSFP: 3.04 W

Physical Characteristics

Dimensions: 24 x 65.9 x 101.1 mm (0.94 x 2.59 x 3.98 in)

Weight:

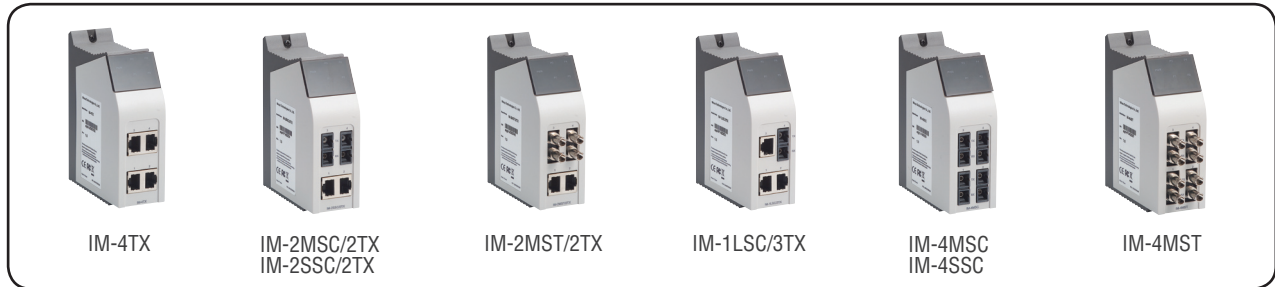
IM-2GTX: 150 g
 IM-2GSFP: 148 g

Time:

IM-2GTX: 417,521 hrs
 IM-2GSFP: 424,955 hrs

Database: MIL-HDBK-217F, GB 25°C

Fast Ethernet Interface Modules, IM Series



IM-4TX

IM-2MSC/2TX
IM-2SSC/2TX

IM-2MST/2TX

IM-1LSC/3TX

IM-4MSC
IM-4SSC

IM-4MST

Interface

Fiber Ports: 100BaseFX ports (SC/ST connector)
RJ45 Ports: 10/100BaseT(X) auto negotiation speed, Full/Half duplex mode, and auto MDI/MDI-X connection
LED Indicators: PWR, P1, P2, P3, P4 port status

Optical Fiber

	100BaseFX		
	Multi Mode	Single Mode	Single Mode, 80 km
Wavelength	1300 nm	1310 nm	1550 nm
Max. TX	-10 dBm	0 dBm	0 dBm
Min. TX	-20 dBm	-5 dBm	-5 dBm
RX Sensitivity	-32 dBm	-34 dBm	-34 dBm
Link Budget	12 dB	29 dB	29 dB
Typical Distance	5 km ^a 4 km ^b	40 km ^c	80 km ^d
Saturation	-6 dBm	-3 dBm	-3 dBm

a. 50/125 μm, 800 MHz*km fiber optic cable
 b. 62.5/125 μm, 500 MHz*km fiber optic cable
 c. 9/125 μm single-mode fiber optic cable
 d. 9/125 μm single-mode fiber optic cable (80 km)

Power Requirements

Power Consumption (@ 24 V):

IM-4TX: 1.52 W
 IM-2MSC/2TX: 2.43 W
 IM-2MST/2TX: 2.43 W
 IM-2SSC/2TX: 2.43 W
 IM-1LSC/3TX: 2.5 W
 IM-4MSC: 6.6 W
 IM-4MST: 6.6 W
 IM-4SSC: 6.6 W

Physical Characteristics

Housing: IP30 protection

Dimensions: 40 x 127.8 x 100 mm (1.57 x 5.03 x 3.94 in)

Weight:

IM-4TX: 215 g
 IM-2MSC/2TX: 245 g
 IM-2MST/2TX: 250 g
 IM-2SSC/2TX: 245 g
 IM-1LSC/3TX: 235 g
 IM-4MSC: 250 g
 IM-4MST: 270 g
 IM-4SSC: 270 g

MTBF (mean time between failures)

Time: 620,000 hrs

Database: MIL-HDBK-217F, GB 25°C

Warranty

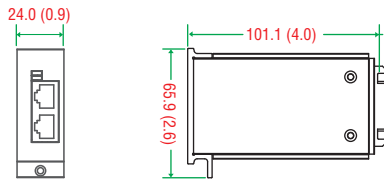
Warranty Period: 5 years

Details: See www.moxa.com/warranty

Dimensions

Unit: mm (inch)

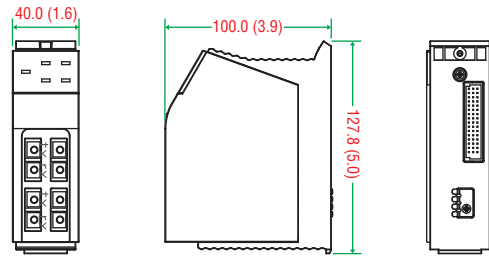
Gigabit Ethernet Interface Modules



Front View

Side View

Fast Ethernet Interface Modules



Front View

Side View

Rear View

Ordering Information

Available Models (0 to 60°C)	Port Interface						
	Gigabit Ethernet		Fast Ethernet				
	10/100/1000BaseT(X)	1000BaseSFP*	10/100BaseT(X)	100BaseFX			
Multi-mode, SC Connector				Multi-mode, ST Connector	Single-mode, SC Connector	Single-mode, SC Connector, 80 km	
IM-2G Series							
IM-2GTX	2	–	–	–	–	–	–
IM-2GSFP	–	2	–	–	–	–	–
IM Series							
IM-4TX	–	–	4	–	–	–	–
IM-4MSC	–	–	–	4	–	–	–
IM-4MST	–	–	–	–	4	–	–
IM-2MSC/2TX	–	–	2	2	–	–	–
IM-2MST/2TX	–	–	2	–	2	–	–
IM-4SSC	–	–	–	–	–	4	–
IM-2SSC/2TX	–	–	2	–	–	2	–
IM-1LSC/3TX	–	–	3	–	–	–	1

* Please see page 1-87 for product information related to the SFP-1G series Gigabit Ethernet SFP modules.

Package Checklist

- IM series interface modules
- Warranty card

SFP-1G Series

1-port Gigabit Ethernet SFP modules



- > IEEE 802.3z compliant
- > Differential LVPECL inputs and outputs
- > TTL signal detect indicator
- > Hot pluggable LC duplex connector
- > Class 1 laser product, complies with EN 60825-1



Specifications

Interface

Ethernet Ports: 1

Connectors: Duplex LC Connector or Simplex LC Connector (WDM-type only)

Note: WDM-type SFP modules must be used in pairs (e.g., SFP-1GXXALC and SFP-1GXXBLC)

Optical Fiber

	Gigabit Ethernet													
	SFP-SX	SFP-LSX	SFP-LX	SFP-LH	SFP-LHX	SFP-ZX	SFP-EZX	SFP-EZX-120	SFP-10A	SFP-10B	SFP-20A	SFP-20B	SFP-40A	SFP-40B
Wavelength	850 nm	1310 nm	1310 nm	1310 nm	1310 nm	1550 nm	1550 nm	1550 nm	TX 1310 nm, RX 1550 nm	TX 1550 nm, RX 1310 nm	TX 1310 nm, RX 1550 nm	TX 1550 nm, RX 1310 nm	TX 1310 nm, RX 1550 nm	TX 1550 nm, RX 1310 nm
Max. TX	-4 dBm	-1 dBm	-3 dBm	-2 dBm	1 dBm	5 dBm	5 dBm	3 dBm	-3 dBm		-2 dBm		2 dBm	
Min. TX	-9.5 dBm	-9 dBm	-9.5 dBm	-8 dBm	-4 dBm	0 dBm	0 dBm	-2 dBm	-9 dBm		-8 dBm		-3 dBm	
RX Sensitivity	-18 dBm	-19 dBm	-20 dBm	-23 dBm	-24 dBm	-24 dBm	-30 dBm	-33 dBm	-21 dBm		-23 dBm		-23 dBm	
Link Budget	8.5 dB	10 dB	10.5 dB	15 dB	20 dB	24 dB	30 dB	31 dB	12 dB		15 dB		20 dB	
Typical Distance	550 m ^a	2 km ^b	10 km ^c	30 km ^c	40 km ^c	80 km ^c	110 km ^c	120 km ^c	10 km ^c		20 km ^c		40 km ^c	
Saturation	0 dBm	-3 dBm	-3 dBm	-3 dBm	-3 dBm	-3 dBm	-3 dBm	-8 dBm	-1 dBm		-1 dBm		-1 dBm	

a. 50/125 μm, 400 MHz * km or 62.5/125 μm, 500 MHz * km @ 850 nm multi-mode fiber optic cable

b. 62.5/125 μm, 750 MHz * km @ 1310 nm multi-mode fiber optic cable

c. 9/125 μm single-mode fiber optic cable

Note: The actual communication distance depends on many factors, including connector loss, cable deployment, and the age of the cabling system. We recommend doing a link budget analysis and reserving a 3 dB margin for such factors.

Environmental Limits

Operating Temperature:

Standard Models: 0 to 60°C (32 to 140°F)

Wide Operating Temp. Models: -40 to 85°C (-40 to 185°F)

Storage Temperature: -40 to 85°C (-40 to 185°F)

Ambient Relative Humidity: 5 to 95% (non-condensing)

Standards and Certifications

Safety: UL 60950-1, TÜV

Warranty

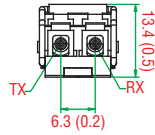
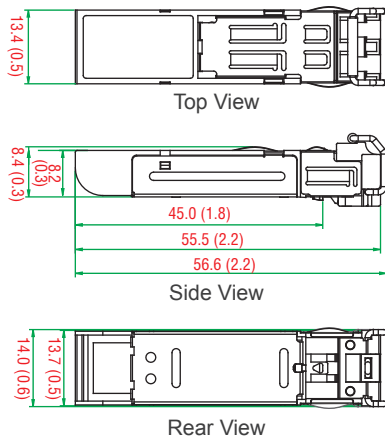
Warranty Period: 5 years

Details: See www.moxa.com/warranty

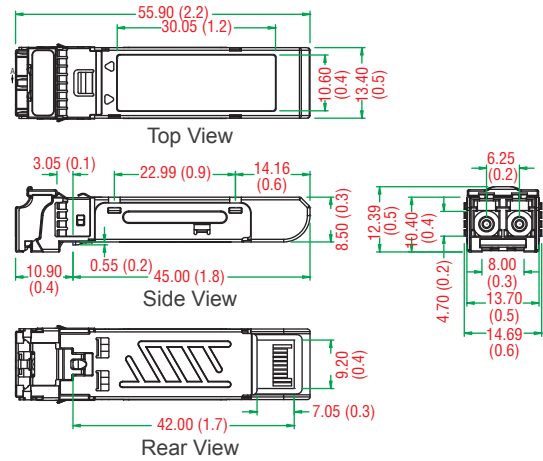
Dimensions

Unit: mm (inch)

SFP-1G Series



SFP-1GEZXC-120



Ordering Information

SFP Modules

Available Models		Port Interface							
Standard Temperature (0 to 60°C)	Wide Temperature (-40 to 85°C)	1000BaseSX, LC Connector, 0.5 km	1000BaseLSX, LC Connector, 2 km	1000BaseLX, LC Connector, 10 km	1000BaseLH, LC Connector, 30 km	1000BaseLHX, LC Connector, 40 km	1000BaseZX, LC Connector, 80 km	1000BaseEZ, LC Connector, 110 km	1000BaseEZ, LC Connector, 120 km
SFP-1GSXLC	SFP-1GSXLC-T*	1	-	-	-	-	-	-	-
SFP-1GLSXLC	SFP-1GLSXLC-T	-	1	-	-	-	-	-	-
SFP-1GLXLC	SFP-1GLXLC-T	-	-	1	-	-	-	-	-
SFP-1GLHLC	SFP-1GLHLC-T	-	-	-	1	-	-	-	-
SFP-1GLHLC	SFP-1GLHLC-T	-	-	-	-	1	-	-	-
SFP-1GLHLC	SFP-1GLHLC-T	-	-	-	-	-	1	-	-
SFP-1GZXLC	SFP-1GZXLC-T	-	-	-	-	-	-	1	-
SFP-1GEZXC	-	-	-	-	-	-	-	-	1
SFP-1GEZXC-120	-	-	-	-	-	-	-	-	1

* SFP-1GSXLC-T: -20 to 75°C operating temperature

WDM-type (BiDi) SFP Modules

Available Models		Port Interface					
Standard Temperature (0 to 60°C)	Wide Temperature (-40 to 85°C)	1000BaseSFP, LC Connector, 10 km		1000BaseSFP, LC Connector, 20 km		1000BaseSFP, LC Connector, 40 km	
		TX 1310 nm, RX 1550 nm	TX 1550 nm, RX 1310 nm	TX 1310 nm, RX 1550 nm	TX 1550 nm, RX 1310 nm	TX 1310 nm, RX 1550 nm	TX 1550 nm, RX 1310 nm
SFP-1G10ALC	SFP-1G10ALC-T	1	-	-	-	-	-
SFP-1G10BLC	SFP-1G10BLC-T	-	1	-	-	-	-
SFP-1G20ALC	SFP-1G20ALC-T	-	-	1	-	-	-
SFP-1G20BLC	SFP-1G20BLC-T	-	-	-	1	-	-
SFP-1G40ALC	SFP-1G40ALC-T	-	-	-	-	1	-
SFP-1G40BLC	SFP-1G40BLC-T	-	-	-	-	-	1

The SFP-1G series modules can be used with the following products:

IM-2GSFP, EDS-611/619 series, EDS-G509 series, EDS-518A series, EDS-510A series, EDS-P510 series, ICS-G7826/G7828 series, ICS-G7526/G7528 series, IM-G7000-4GSFP, IKS-G6824 series, IKS-G6524 series, IKS-6526-2GTXSFP series, PM-7200-2G/4G series, EDS-G308 series, EDR-G903 series, IMC-101G series, PT-G7509

Package Checklist

- SFP-1G module
- Warranty card