

DS-D5055UC-C 55-inch LCD Monitor



- Designed for surveillance, high reliability and stability
- 55" LED backlight with wide display equipment
- 4K resolution is 4 times the resolution of 1080p, providing a wider view and more fine detail
- Multiple inputs: HDMI, VGA, RJ45, USB
- Narrow front bezel
- Wide view angle: Horizontal 178°, Vertical 178°
- 24/7 operation

▪ Specification

Model	DS-D5055UC-C	
Display	Screen Size	55"
	Active Display Area	1209.6 (H) mm × 680.4 (V) mm
	Resolution	3840 × 2160@60 Hz
	Backlight	LED
	Pixel Pitch	0.315 (H) mm × 0.315 (V) mm
	Brightness	350 cd/m ²
	Viewing Angle	178° (H) / 178° (V)
	Color Depth	8 bit
	Contrast Ratio	1200:1
	Response Time	8 ms
	Refresh Rate	60 Hz
	Haze	1%
	Reliability	7 × 18 H
	Color Gamut	72% NTSC
Interface	Video & Audio Input	HDMI 1.4 × 1, HDMI2.0 × 1, VGA × 1, Audio in × 1
	Video & Audio Output	Speaker (8 Ω, 5 W) × 2, Audio-Out × 1
	Data Transmission Interface	USB 2.0 × 1
	Control Interface	RS232-In × 1, RS232-Out × 1
Power	Power Supply	100~240 VAC, 50/60 Hz
	Power Consumption	≤ 145 W
	Standby Consumption	≤ 0.5 W
Working Environment	Working Temperature	0 °C to 40 °C (32 °F to 104 °F)
	Working Humidity	10% to 80% RH (Non-Condensing)
	Storage Temperature	-20 °C to 60 °C (-4 °F to 140 °F)
	Storage Humidity	5% to 90% RH (Non-Condensing)
General	Casing Material	Plastic
	VESA	200 mm × 200 mm (4 × M6-25 mm)
	Bezel Width	8.24 mm (top/left/right), 20.69 mm (bottom)
	Product Dimensions (W × H × D)	Without stand: 1230.08 mm × 713.39 mm × 85.55 mm (48.43" × 28.09" × 3.37") With stand: 1230.08 mm × 786.86 mm × 267.87 mm (48.43" × 30.98" × 10.55")
	Package Dimensions (W × H × D)	1402 mm × 856 mm × 217 mm (55.20" × 33.70" × 8.54")
	Net Weight	16.2 ± 0.5 kg (35.7 ± 1.1 lb.)
	Gross Weight	21.4 ± 0.5 kg (47.2 ± 1.1 lb.)
	Packing List	Monitor × 1, Remote control × 1, Quick start guide (multilingual) × 1, EU energy efficiency label × 1, 1.5-meter power cable × 1, Screw pack × 1
	Remarks	If the appearance and parameters in this specification vary from the actual product, the later prevails. You can also consult local sale staff.

▪ **Physical Interface**

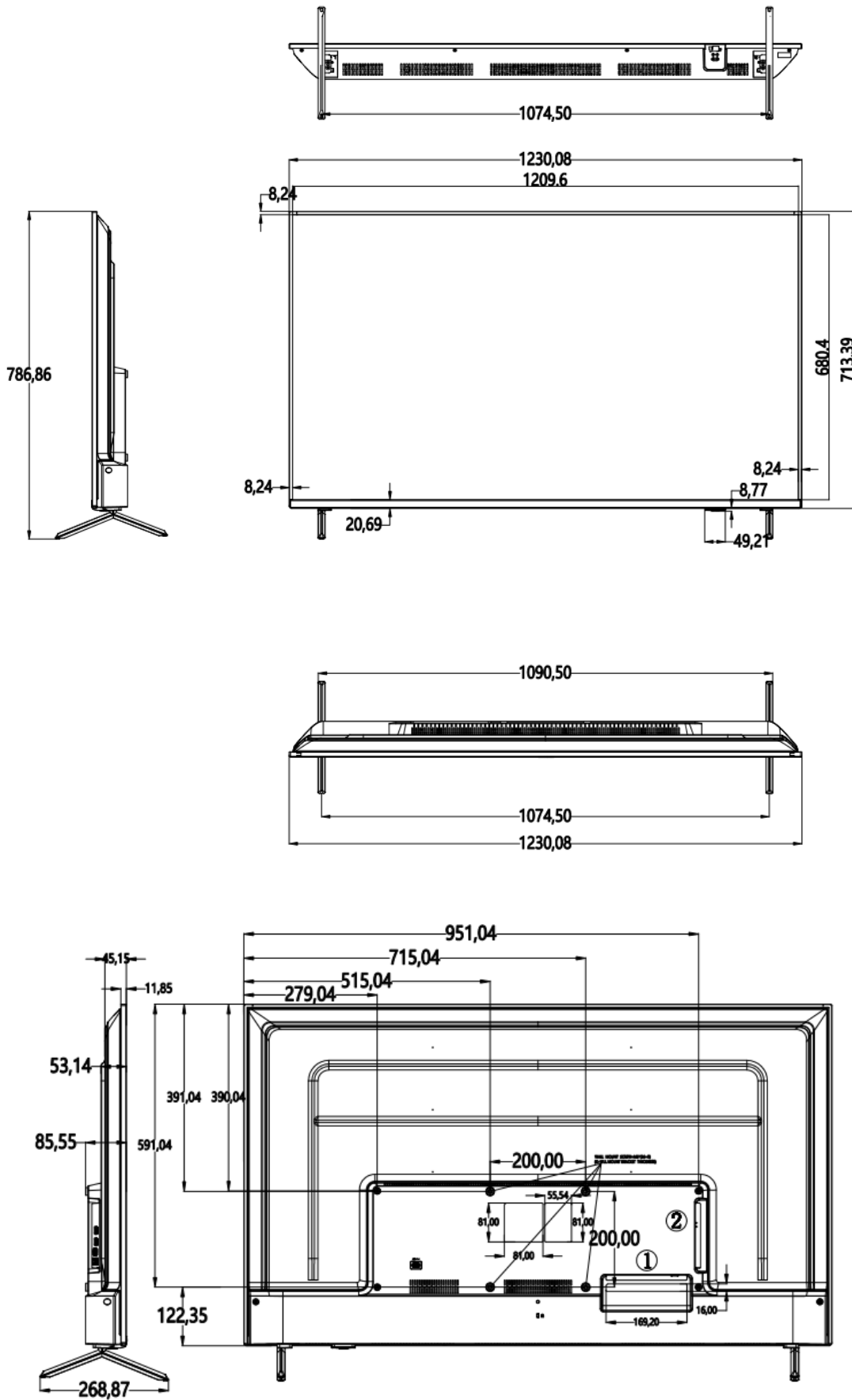
Interface	Interface	Interface	Interface
SWITCH	Power Switch Button	100-240V~	AC Power Input
POWER	Power LED Display	HDMI	HDMI 2.0 Digital Input
DP	DP 1.2 Digital Input	VGA	VGA Analog Input
USB	USB 2.0	AUDIO IN	Line-IN 3.5 mm Input
AUDIO OUT	Line-Out 3.5 mm Output	RS 232 IN	RS-232 Input Control
RS 232 OUT	RS-232 Ring Out Control		



▪ **Available Model**

DS-D5055UC-C

▪ Dimension



▪ **Accessory**

▪ **Optional**

**DS-DM4255W
Wall-mounted
Bracket**



Headquarters

No.555 Qianmo Road, Binjiang District,
Hangzhou 310051, China
T +86-571-8807-5998
www.hikvision.com



Follow us on social media to get the latest product and solution information.

