

XNB-9003

4K AI Box Camera



FC |  | CE | EAC

Key Features

- 4K resolution
- Color: 0.03 Lux (F1.2, 1/30sec, 30IRE), BW: 0.003 Lux (F1.2, 1/30sec, 30IRE)
- Maximum 30fps (H.265/H.264)
- Day & Night (ICR), extremeWDR (120dB)
- WiseNR II (Based on AI engine), WiseStreamIII (Based on AI engine)
- Analytics events based on AI engine (NPU) : Object detection (Person/Face/Vehicle - car, truck, bus, bicycle, motorcycle/License plate),
IVA (Virtual line/Area, Enter/Exit, Loitering, Direction, Intrusion)
- Analytics events : Defocus detection, Motion detection, Tampering, Fog detection
Audio detection, Sound classification, Shock detection, Appear/Disappear

Video	
Imaging Device	1/1.8" progressive CMOS
Resolution	3840x2160, 3328x1872, 3072x1728, 2592x1944, 2688x1520, 1920x1080, 1600x1200, 1280x1024, 1280x960, 1280x720, 1024x768, 800x600, 800x448, 720x576, 720x480, 640x480, 640x360, 320x240
Max. Framerate	H.265/H.264: Max. 30fps/25fps(60Hz/50Hz) MJPEG: Max. 15fps/12fps(60Hz/50Hz)
Min. Illumination	Color: 0.03Lux(F1.2, 1/30sec, 30IRE) BW: 0.003Lux(F1.2, 1/30sec, 30IRE)
Video Out	CVBS: 1.0 Vp-p / 75Ω composite, 720x480(N), 720x576(P) for installation USB: Micro USB Type B, 1280x720 for installation
Lens	
Focus Control	Simple focus
Lens Type	DC auto iris, P-iris, Manual, I-CS
Mount Type	C mount, CS mount
Operational	
Camera Title	Displayed up to 85 characters
Day & Night	Auto(ICR)
Backlight Compensation	BLC, HLC, WDR, SSSDR
Wide Dynamic Range	extremeWDR (120dB)
Digital Noise Reduction	WiseNR II (Based on AI engine), SSNR V
Digital Image Stabilization	Support(built-in gyro sensor)
Defog	Support
Motion Detection	8ea, 8point Polygonal zones
Privacy Masking	32ea, Quadrangle zones - Color : Gray, Green, Red, Blue, Black, White - Mosaic
Gain Control	Support
White Balance	ATW / Narrow ATW / AWC / Manual / Indoor / Outdoor
LDC	Support (Fill/stretch mode)
Electronic Shutter Speed	Minimum / Maximum / Anti flicker (2~1/12,000sec) Prefer shutter control(Based on AI engine)
Video Rotation	Flip, Mirror, Hallway view(90°/270°)
Analytics	- Analytics events based on AI engine : Object detection (Person/Face/Vehicle(car/bus/truck/motorcycle/bicycle)/License plate), IVA (Virtual line/Area, Enter/Exit, Loitering, direction, Appear/Disappear, intrusion) - Analytics events : Defocus detection, Motion detection, Tampering, Fog detection, Audio detection, Sound classification, Shock detection
Business Intelligence	Based on AI engine : People counting, Queue management, Heatmap
Serial Interface	RS-485(Samsung-T, Pelco-D/P, Panasonic, Bosch, AD, GE, Vicon, Honeywell)
Alarm I/O	2 configurable I/O ports
Alarm Triggers	Analytics, Network disconnect, Alarm input, App event, Time schedule

Alarm Events	<p>When alarm trigger occurred</p> <ul style="list-style-type: none"> - File upload(image) : e-mail/FTP - Notification : e-mail - Recording : SD/SDHC/SDXC or NAS recording at event triggers - Alarm output - Handover(PTZ preset, Send message by HTTP/HTTPS/TCP) - Audio clip playback
Audio In	<p>Selectable(mic in/line in/Built-in MIC) Supply voltage: 2.5VDC(4mA), Input impedance: 2K Ohm</p>
Audio Out	<p>Line out, Max.output level: 1Vrms</p>
Network	
Ethernet	<p>Metal shielded RJ-45(10/100/1000BASE-T)</p>
Video Compression	<p>H.265/H.264: Main/High, MJPEG</p>
Audio Compression	<p>G.711 u-law /G.726 Selectable G.726(ADPCM) 8KHz, G.711 8KHz G.726: 16Kbps, 24Kbps, 32Kbps, 40Kbps AAC-LC: 48Kbps at 16KHz</p>
Smart Codec	<p>Manual(5ea area), WiseStream II , WiseStreamIII (Based on AI engine)</p>
Bitrate Control	<p>H.264/H.265: CBR or VBR MJPEG: VBR</p>
Streaming	<p>Unicast(20 users) / Multicast Multiple streaming(Up to 10 profiles, 3 virtual channel support)</p>
Protocol	<p>IPv4, IPv6, TCP/IP, UDP/IP, RTP(UDP), RTP(TCP), RTCP,RTSP, NTP, HTTP, HTTPS, SSL/TLS, DHCP, FTP, SMTP, ICMP, IGMP, SNMPv1/v2c/v3(MIB-2), ARP, DNS, DDNS, QoS, UPnP, Bonjour, LLDP, SRTP (TCP, UDP Unicast)</p>
Security	<p>TPM 2.0 (FIPS 140-2 level 2) HTTPS(SSL) Login Authentication Digest Login Authentication IP Address Filtering User access log 802.1X Authentication(EAP-TLS, EAP-LEAP, EAP-PEAP MSCHAPv2) Device Certificate(Hanwha Techwin Root CA, pre-installed) Secure by default certificate Secure OS/Boot/Storage, Verify firmware forgery</p>
Application Programming Interface	<p>ONVIF Profile S/G/T SUNAPI(HTTP API) Wisenet open platform</p>
General	
Webpage Language	<p>English, Korean, Chinese, French, Italian, Spanish, German, Japanese, Russian, Swedish,, Portuguese, Czech, Polish, Turkish, Dutch, Greek, Hungarian</p>
Edge Storage	<p>Micro SD/SDHC/SDXC 2slot Max. 1TB (512GB * 2)</p>
Memory	<p>4GB RAM, 512MB Flash</p>
Environmental & Electrical	
Operating Temperature / Humidity	<p>-10 °C ~ 55°C(-14°F ~ +131°F) less than 95%RH(non-condensing)</p>
Storage Temperature / Humidity	<p>-50°C ~ +60°C(-58°F ~ +140°F) / Less than 90% RH</p>
Input Voltage	<p>PoE(IEEE802.3af, Class3), 12VDC</p>

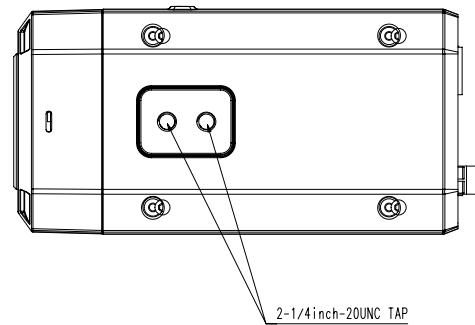
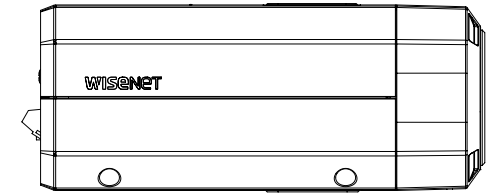
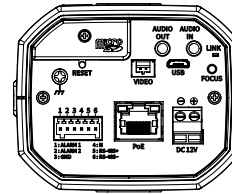
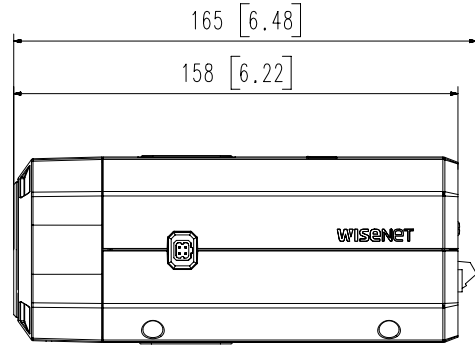
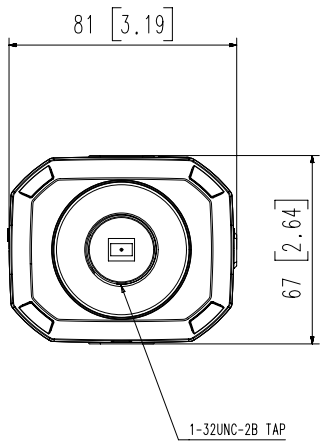
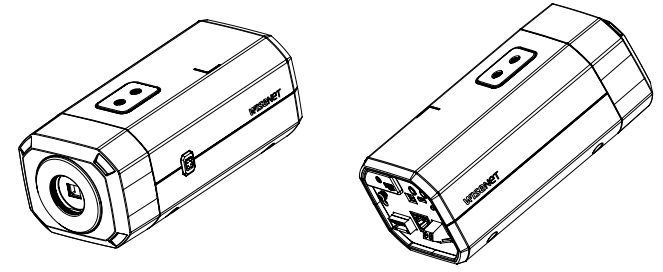
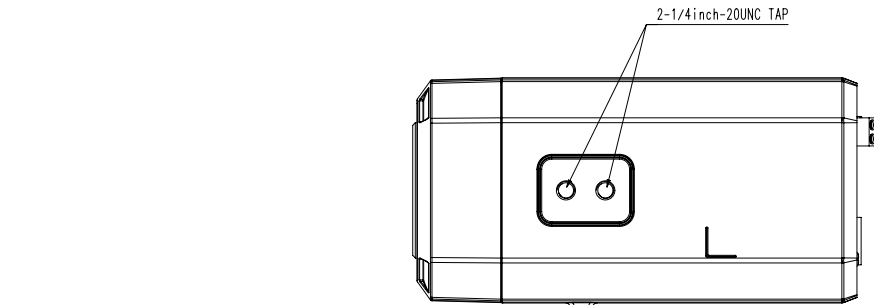
Power Consumption	PoE: Max 12.95W, typical 9.8W 12VDC: Max 19W, typical 9.5W
--------------------------	---

Mechanical

Color / Material	Black / Aluminum
-------------------------	------------------

Product Dimensions / Weight	81(W)x67(H)x165(D)mm(3.19x2.64x6.48"), 880g(1.94 lb)
------------------------------------	--

- The latest product information / specification can be found at hanwha-security.com
- Design and specifications are subject to change without notice.
- Wisenet is the proprietary brand of Hanwha Techwin, formerly known as Samsung Techwin.



3		
2		
1	XNB-9003/8003/6003	'21.07.23
No.	MODEL NAME	DATE
Unit:mm[inch]		SCALE:4/5
Hanwha Techwin		

© Hanwha Techwin Co.,Ltd. All rights reserved.

A2