



# SPA-H100W

IP Horn Speaker



## Key Features

- Amplifier: Built in 10W Class D
- Power: PoE(IEEE 802.3 af type 1 Class 3) , PoE+(IEEE 802.3 at type 2 Class 4)
- Internal memory: 1 GBytes
- Frequency Range (-10dB): 650Hz~5.3kHz
- Sensitivity (1Watt): 111dB
- IP Code: IP66
- Supported Protocols: IPv4, HTTP, SIP, mDNS, DNS, NTP, TCP, UDP, DHCP, ARP, ICMP
- TTS: English(US, UK), German, French, Spanish, Russian

# SPA-H100W

## IP Horn Speaker



### Specifications

<b>Product</b>	
Type	IP Horn Speaker
<b>Amplifier</b>	
Description	Built in 10W Class D
<b>Network</b>	
Ethernet	10/100 Base-T
<b>Memory</b>	
Internal Memory	1 GBytes
<b>Contact</b>	
Contact Input. Dry contact	One channel
Contact Output. Dry contact (NO)	One channel
<b>General</b>	
Operating Temperature	-40°C ~ +55°C (-40°F ~ +131°F) (Cold start : -35°C/ -31°F)
Operating Humidity	10~85% RH (Non-Condensing)
IP code	IP66
Weight	3.7Kg
Size	241(W) x 155(H) x 307(D)mm
Color	Black/White
Certificate	EMC : KS C 9832/9835, EN 55032/55035, FCC Part 15 Subpart B, ICES-003 Safety : KC 62368-1, UL 62368-1, CAN/CSA 62368-1
<b>Power</b>	
PoE	PoE (IEEE 802.3 af type 1 Class 3)
PoE+	PoE+(IEEE 802.3 at type 2 Class 4)
<b>Embedded MIC</b>	
Input Sensitivity	Sound Level Meter
Frequency Response	Sound Level Meter
<b>Audio</b>	
Supported Audio Format	WAV, MP3 in mono/stereo from 64 kbps to 320 kbps. Sampling rate from 16 kHz up to 48 kHz
<b>Speaker</b>	
Speaker Component	1" HF Driver. Dome type

Design and specifications are subject to change without notice. The latest product information / specification can be found at [HanwhaVision.com](http://HanwhaVision.com)

Hanwha Vision is formerly known as Hanwha Techwin.

Max. Sound Pressure Level (PoE)	121dB
Max. Sound Pressure Level (PoE+)	124dB
Frequency Range (-10dB)	650Hz~5.3kHz
Sensitivity (1Watt)	111dB
Coverage Pattern	(HxV) : 130° X 160°(1kHz) / 30° X 50°(4kHz)
<b>Network Protocol</b>	
Security	Password protection : admin,setup,user,guest (sha-2, Digest authentication, User access log) Digest authentication, User access log
Supported Protocols	IPv4, HTTP, SIP, mDNS, DNS, NTP, TCP, UDP, DHCP, ARP, ICMP
<b>System Integration</b>	
API (Application Programming Interface)	SUNAPI
Multi-source Dynamic PA control	Multi-source up to 48 (Multicast) (Audio 24CH + Mic 24CH) Up to 256 Zone Control (Multicast) Up to 20 Zone Control (Unicast) Up to 255 Groups
VoIP	Tested with SIP clients such as Grandstream, Yealink, Cisco, MicroSIP softphone and PBX supplier such as Asterisk Tested with SIP client such as Grandstream and PBX supplier such as Grandstream Supported SIP features: DTMF (RFC2833) Supported codecs: PCMU, PCMA, speex/8000, speex/16000
TTS	English(US, UK), German, French, Spanish, Russian
Audio Monitoring	Speaker test by graphic level meter (Built in test tool)
Event & Preset	Virtual Contact, Dry contact
Functional Monitoring	Connection verification, Built-in system logging

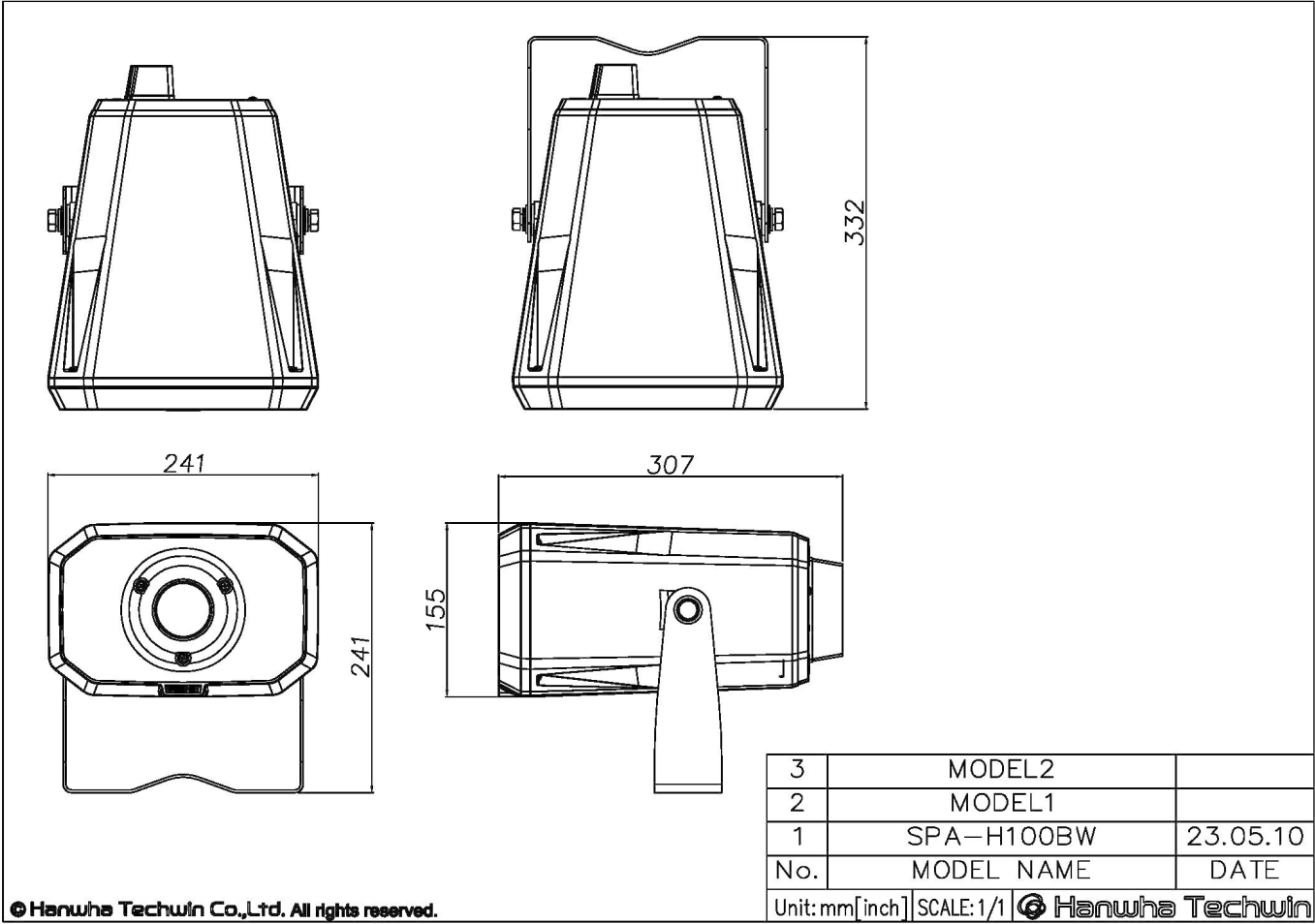
# SPA-H100W

IP Horn Speaker



CAD

Unit:mm [inch]



© Hanwha Techwin Co.,Ltd. All rights reserved.