

Features

- 21.5" New Generation Stainless Steel Panel PC
- 11th Gen. Intel Core i3/i5 BGA type Processor
- True Flat Front Bezel Design and Grade 304 Stainless Steel Enclosure (Grade 316 for Option)
- IP66/IP69K Rated with M12 Connectors
- Ultra Slim Front Frame Design
- Special Hygienic Bolts on Rear Case
- Waterproof Wireless Antenna Covers to Solve the Bend Damage and Easy to Clean
- Support Ergonomic Versatile Mounting:
VESA Mount 100 x 100 / Floor Stand / Swing ARM

Specifications

| System | |
|----------------|--|
| CPU | Onboard 11th Gen. Intel Core i3/i5 Processor Core i5-1145G7E (Quad Core, 8 MB cache, 1.50 GHz) Core i3-1115G4E (Dual Core, 6 MB cache, 2.20 GHz) |
| System Chipset | SoC |
| Memory | 2 x 260-pin SO-DIMM up to 64GB DDR4 3200MHz |
| TPM | TPM 2.0 |

| IO Port | |
|-------------------|--|
| USB | 1 x M12 8-pin for 2 x USB 2.0 with waterproof cover |
| Serial / Parallel | 1 x M12 8-pin COM1, RS-232/422/485, default RS-232, with waterproof cover |
| LAN | 1 x M12 8-pin for LAN with waterproof cover |
| Power Connector | 1 x M12 3-pin for DC power with waterproof cover 1 x Power switch on the rear |
| Option | 2 x optional blank M12 connector with waterproof cover for selecting two from the following options: 2 x USB 2.0 1 x USB 3.2 Gen.1 1 x LAN 1 x COM |

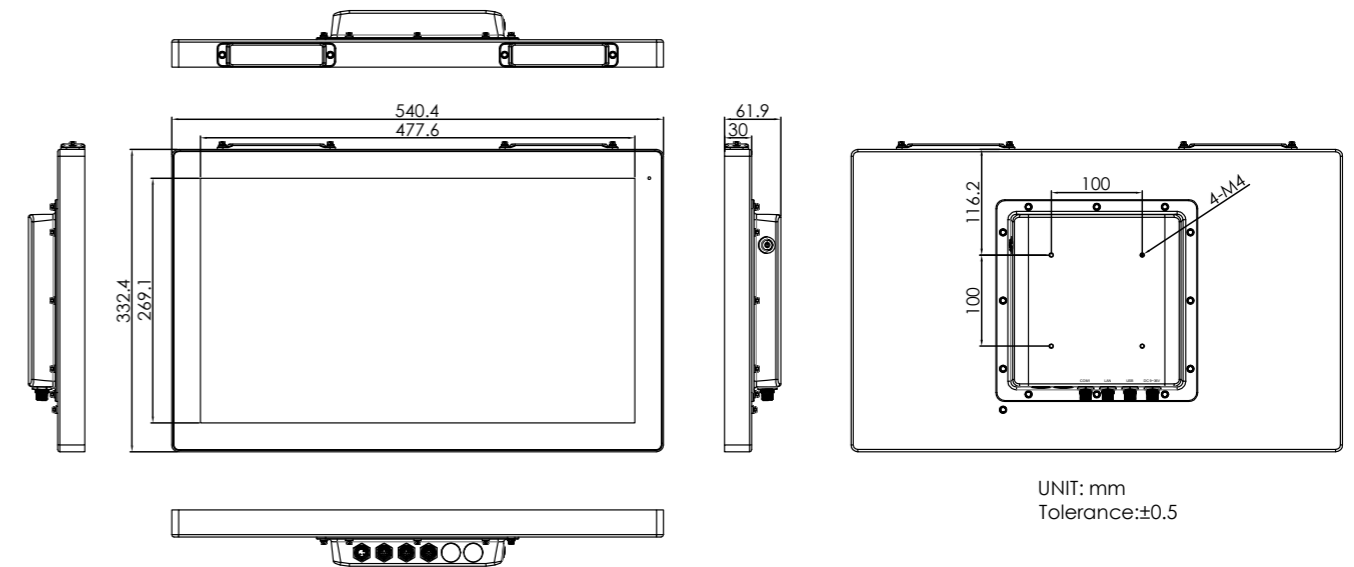
| Storage Space | |
|---------------|-------------------------------|
| M.2 | 1 x M-Key 2280 (PCIe) for SSD |

| Expansion | |
|----------------|---|
| Expansion slot | 1 x Full size mPCIe/mSATA (mPCIe as default, select by BIOS) 1 x NANO-SIM 1 x M.2 E-key 2230 (PCIe+USB) for optional WIFI/BT module |
| RFID module | RFID module design on the front side (for option) |

| Display | Standard | High Brightness Optional |
|--------------------------------|---------------|--------------------------|
| Display Type | 21.5" TFT-LCD | 21.5" TFT-LCD |
| Max. Resolution | 1920 x 1080 | 1920 x 1080 |
| Max. Color | 16.7M | 16.7M |
| Luminance (cd/m ²) | 250 | 1000 |
| View Angle | 178(H)/178(V) | 178(H)/178(V) |
| Contrast | 1000:1 | 3000:1 |
| Backlight Lifetime | 50,000 hrs | 50,000 hrs |

| Touch Screen | |
|-----------------------|----------------------------|
| Type | Projected Capacitive Touch |
| Interface | USB |
| Light Transmission(%) | 90% |

Dimensions



UNIT: mm
Tolerance:±0.5

| Power | |
|-------------------|--------------------|
| Power Input | DC 9~36V |
| Power Consumption | PhanTAM-921CP: 36W |

| Mechanical | |
|--------------|---|
| Construction | 304 Stainless Steel Chassis (default), 316 Stainless Steel Chassis (optional) |
| Mounting | VESA Mount 100 x 100, Floor Stand / Swing ARM (optional) |
| IP Rating | Total IP66/IP69K |
| Dimensions | 540.4 x 332.4 x 61.9 mm |
| Net Weight | 7.9 kg |

| Environmental | |
|-----------------------|----------------------------------|
| Operating Temperature | 0~50°C |
| Storage Temperature | -30~70°C |
| Humidity | 10 to 90% @ 40°C, non-condensing |
| Certificate | CE/FCC Class A |

| Operating System Support | |
|-------------------------------------|--|
| Windows 10 IoT ENT LTSC, Windows 11 | |

| Ordering Information | |
|----------------------|--|
| PhanTAM-921CP | 21.5" FHD IP66/IP69K stainless steel panel pc, Intel 11th Gen. Core i Processor, 2 x SO-DIMM DDR4 slots, 128GB TLC SSD, projected capacitive touch, 9~36V DC power input with Adapter |
| PhanTAM-921CPH | 21.5" FHD IP66/IP69K stainless steel panel pc, Intel 11th Gen. Core i Processor, 2 x SO-DIMM DDR4 slots, 128GB TLC SSD, projected capacitive touch, 9~36V DC power input with Adapter, 1000 nits |