

Features

- 17" Industrial Compact Size Panel PC
- 8th Gen. Intel Core i3/i5, CPU built-in
- 1 x 260Pin SO-DIMM DDR4 slot, up to 32GB 2400MHz
- Flat Front Panel Touch Screen with IP66 front bezel
- Fanless Design
- DC 9~36V Wide-Ranging Power Input
- Support expansion via Full-size Mini PCIe and M.2 slots
- Support TPM2.0 hardware security
- High Brightness 1,000 nits for option

Specifications

System	
CPU	8th Gen. Intel Core i3/i5 Processors Core i5-8365UE (4C/8T,1.6GHz,15W TDP) Core i3-8145UE (2C/4T,2.2GHz,15W TDP)
System Chipset	SoC
Memory	1 x DDR4 SO-DIMM Slot, Up to 32 GB DDR4 2400MHz

I/O Port	
USB	4 x USB 3.0 type A
Serial	1 x DB-9 connector, including: * 1 x RS-232(RTS, Rx, Tx, CTS), pin1 RTS/5V/12V selectable via jumper (COM1), default * 1 x RS-232(Tx, Rx)/422/485(COM2), optional
Audio	1 x Audio Line Out
DP	1 x DP Port
LAN	2 x GbE LAN RJ-45
Power	1 x 3-pin DC Power input terminal 1 x 2-pin connectors for power on/off button

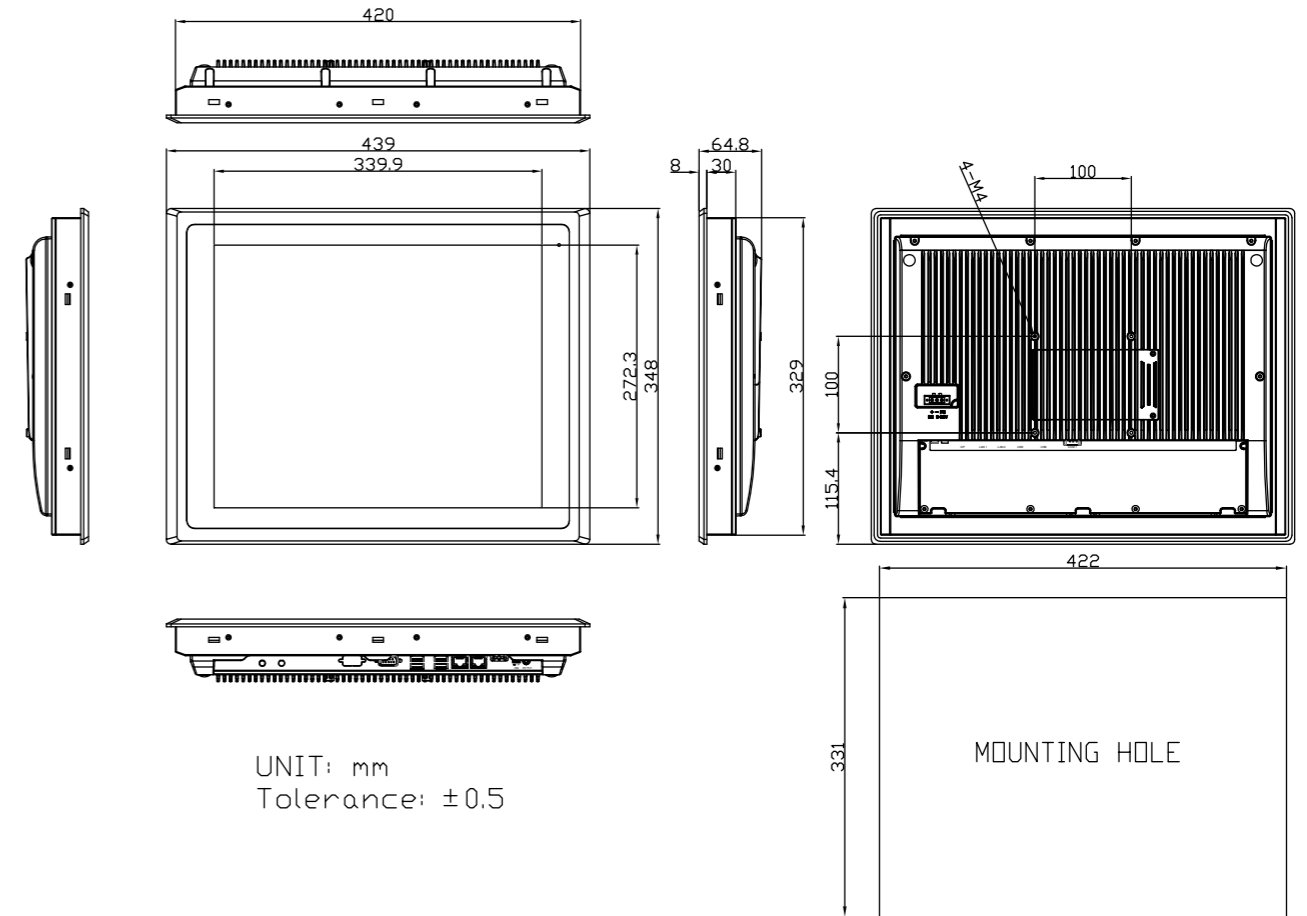
Option	COM port Y cable (for 1 x RS-232(Tx, Rx)/422/485(COM2)) VESA Stand 4G LTE WiFi 4/5/6+ BT 4 x USB 2.0 type A (TB-528U4) 4 x USB 2.0 type A + 1 x Mini-PCIe + 1 x SIM slot (TB-528U4ME1) 2 x COM (RS-232) (TB-528C2) 1 x COM (RS-232) + 2 x USB 2.0 (TB-528C1U2) 1 x COM (RS-232) + 2 x USB 2.0 + 1 x Mini-PCIe + 1 x Power Button (TB-528C1U2P1) 2 x COM (RS-232) + 1 x Mini-PCIe slot + 1 x SIM slot (TB-528C2ME1) 2 x COM (RS-422/485, isolated) (TB-528C2I) 2 x CAN (TB-528CAN2) 1 x LAN + 2 x USB 2.0 type A (TB-528E1U2) Backup Battery 21Wh/10.8Wh/1.95Ah(3S1P)
--------	---

Storage Space	
Storage	1 x M.2 M Key slot; (Support PCIe/SATA 2242/2280, Default 2242)

Expansion	
Expansion Slot	1 x Internal Mini-PCIe slot full size 1 x Nano SIM card holder

Display	Standard	High Brightness Optional
Display Type	17" TFT-LCD	17" TFT-LCD
Max. Resolution	1280 x 1024	1280 x 1024
Max. Color	16.2M	16.7M
Luminance (cd/m ²)	350	1000
View Angle	170(H)/160(V)	170(H)/160(V)
Contrast	1000:1	1000:1
Backlight Lifetime	30,000 hrs	50,000 hrs

Dimensions



Touch Screen	
Type	Resistive Touch (for BR Model) Projected Capacitive Touch (for BP Model)
Interface	USB
Light Transmission(%)	Resistive Touch: 80% Projected Capacitive Touch: 90%

Power	
Power Input	DC 9~36V
Power Consumption	TBD

Mechanical	
Color	RAL 9007
Construction	Aluminum
Mounting	Panel Mount, VESA 100 x 100
Dimensions (WxHxD)	439 x 348 x 64.8 mm
IP Rating	Front Panel IP66
Net Weight	TBD

Environmental	
Operating Temperature	0~50°C / -20~60°C (option)
Storage Temperature	-30~70°C
Humidity	10 to 95%@ 40°C, non-condensing
Certificate	CE / FCC, Class A

Operating System Support	
Win10 IoT	